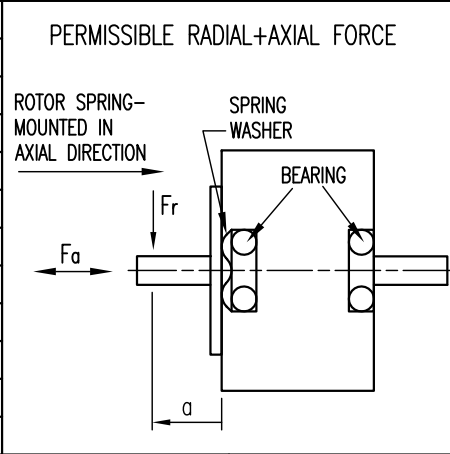


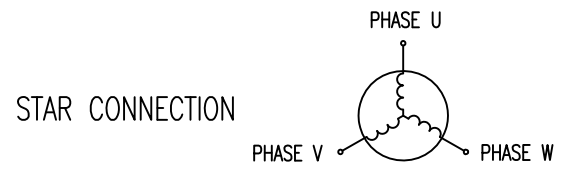
SPECIFICATION	CONNECTION	STAR
NO. OF POL./PHASE		16/3
VOLTAGE RATED (VDC)		24
NO LOAD CURRENT (A)		<0.3
CURRENT RATED/PEAK (A)		1.58/ 4.8
RESISTANCE/PHASE TO PHASE (Ohms) @20°C		1.42 $\pm$ 10% $\triangle$
INDUCTANCE/PHASE TO PHASE (mH) @1KHz		0.59 $\pm$ 20% $\triangle$
TORQUE RATED/PEAK (Nm) [lb-in]		0.05/0.15 [0.44/1.33]
TORQUE CONSTANT (Nm/A)		0.0355 $\triangle$
POWER RATED (W)		30
SPEED RATED/NO LOAD (RPM)		5000/6500 $\triangle$
ROTOR INERTIA (Kg-m <sup>2</sup> ) [lb-in <sup>2</sup> ]		0.99x10 <sup>-5</sup> [0.034]
WEIGHT (Kg) [lb]		0.08 [0.18]



**WIRING DIAGRAM**

	FUNCTION	Dir. $\longleftrightarrow$					
MOTOR 16 POL.	U	X	HI	HI	X	LOW	LOW
	V	HI	X	LOW	LOW	X	HI
	W	LOW	LOW	X	HI	HI	X
HALL 48 IMPL. REV.	+5V						
	H1	0	0	0	1	1	1
	H2	0	1	1	1	0	0
	H3	1	1	0	0	0	1
GND							

TEMPERATURE RISE: MAX.80°C	AXIAL-FORCE Fa (N)	Fa=10 max.	
AMBIENT TEMPERATURE -20°~ 50°C $\triangle$	DISTANCE a (mm)	10	
INSULATION RESISTANCE 100 MOhm (UNDER NORMAL TEMPERATURE AND HUMIDITY)	RADIAL-FORCE Fr (N)	28 max.	
INSULATION CLASS B 130° [266°F]		AXIAL	RADIAL
DIELECTRIC STRENGTH 500VAC FOR 1 MIN. (BETWEEN THE MOTOR COILS AND THE MOTOR CASE)	SHAFT PLAY (mm)	0.14	0.02
AMBIENT HUMIDITY MAX. 85% (NO CONDENSATION)	AT LOAD MAX: (N)	4	4



1	CHANGE AMBIENT TEMP.	16.01.15	J.D.	 <b>Nanotec</b> PLUG & DRIVE	SCALE FREE	APVD	G.S.	04.08.14	<b>BRUSHLESS DC MOTOR</b>
C	UPDT. DATA	17.10.14	J.D.		X $\pm$ 0.5	CHKD			
B	CHG. VALUE OF NO LOAD	08.08.14	J.D.		1PL $\pm$ 0.2	DRN	J.D.	04.08.14	DWG.NO
REV	DESCRIPTION	DATE	APVD		2PL $\pm$ 0.1	SIGNATURE			DF45S024050-A
				ANGLE $\pm$ 30'					DF45S024050-A